

QUICKSILVER® ACTIV

455 OPEN



SPECIFICATIONS

• Length Overall (M)	4.54	• CE Design Category	C
• Length of hull (M)	4.44	• Maximum Number of People	5
• Beam Maximum (M)	1.85	• Maximum Power (HP / KW)	60/44
• Height - Without Canvas (M)	1.61	• OB Shaft Length	L
• Dry Weight (Kg)	401	• Deadrise (deg)	14
• Fuel Capacity (L)	25	• Max. Load (People, Gear, Engine) (kg)	535

EQUIPEMENT

Standard Equipment

- Swim Ladder
- Navigation Lights
- Aft Bench Seat
- Analog Speedometer/Tachometer
- Trim Gauge
- 12v electrical socket
- Anchor Locker
- Self Bailing Cockpit
- Cockpit Cushions
- Single Battery System
- Electric Bilge Pump
- OB Pre-Rigging

Optional Equipment

- Bow cushions
- Convertible bow sun lounge
- Bimini
- Hull Color
- Simrad GPS/Chart Plotter GO5
- Stereo Fusion with 2 speakers
- DAB kit with antenna
- Mooring cover
- Mooring kit

MERCURY ENGINE OFFERING

4-Stroke Engines

F 40 ELPT EFI
F 50 ELPT EFI

F 60 ELPT EFI
F 60 ELPT EFI CT

For more information, please to visit our Quicksilver website www.quicksilver-boats.com

As a company committed to continuous product improvement specifications are subject to change.

Modified by SPE 09/10/2017 - Product sheet MY2018: 1 Sept 2017 - 30 Aug 2018

The Activ 455 Open combines all the ingredients for safe cruising in an ultra-modern, versatile and economical package. Step aboard with family and friends and cast off for a smooth and relaxing ride.

Practicality and Versatility

- Versatile deck lay-out; ideal for recreation, light fishing and transportation of goods.
- Two lockable storage compartments in the boat and one below the aft bench to keep everything in its place.
- Convertible bow area transforms from relaxing sun lounge to large free area ideal for carrying larger items.
- Spacious enough to accommodate 5 persons.

FEATURES & BENEFITS



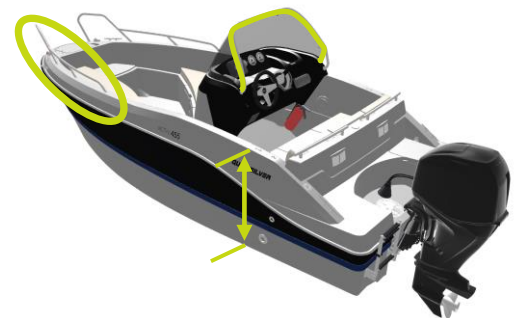
Design & Comfort

- Modern hull design ensures agile and swift steering reaction.
- The cushions are compact and take little storage space. The cushion fabric has a pleasant feel and is easy to care for.
- For those who are looking for more power, an engine of max 60 hp can be installed.
- Large dashboard gives you the possibility to accommodate electronics that vary in size.
- Connectivity to tablets or smartphones via 12v plug.



Your Safety First

- The high cockpit depth and anti-slip floor accompanied with ergonomically placed handrails guarantee security for children and adults when seating or moving around the boat.
- Large windshield provides extra weather protection and good visibility.
- Convenient swim platforms and integrated swim ladder provide a secure entrance into the boat.



Easy Maintenance and Transportation

- Easy to get in and out of the water due to the strong secure hooks. The light design makes it easy to trailer the boat.
- Ample gates provide good access to the electrical systems and to the service compartment.

For more information, please to visit our Quicksilver website www.quicksilver-boats.com

As a company committed to continuous product improvement specifications are subject to change.

Modified by SPE 09/10/2017 - Product sheet MY2018: 1 Sept 2017 - 30 Aug 2018